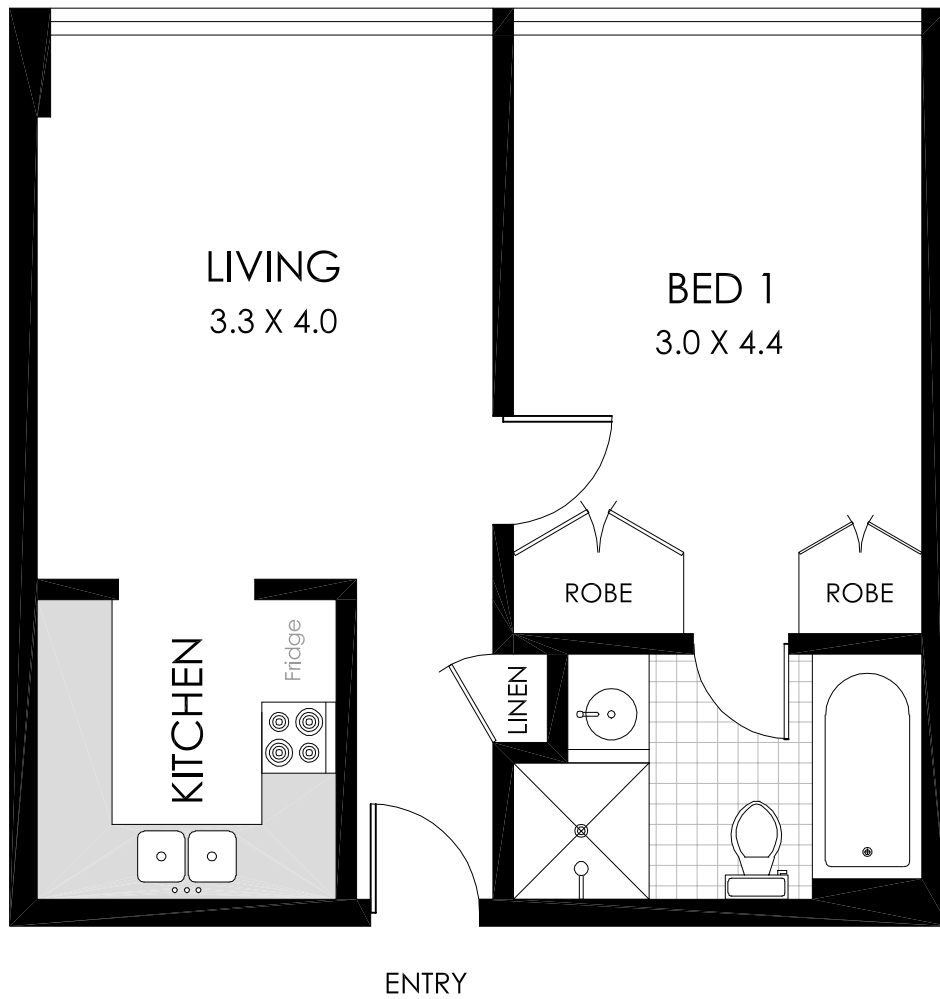
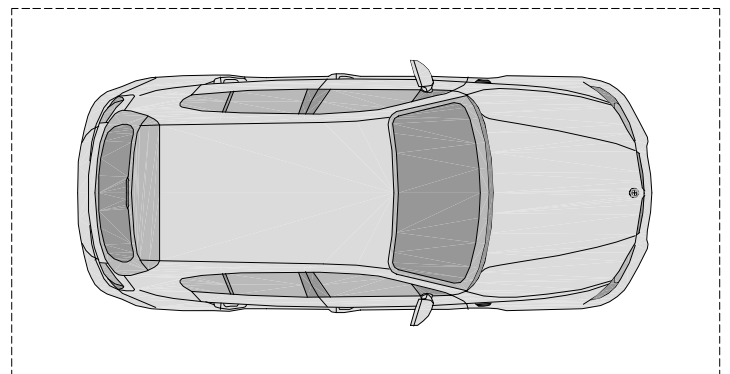


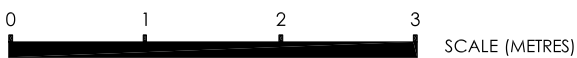
BresicWhitney



NOTE: SHARED
LAUNDRY (Level 1)



SECURITY CARSPACE
(Separate Title)



PLANS SHOWN ARE ONLY INDICATIVE OF LAYOUT. DIMENSIONS ARE APPROXIMATE

All information contained herein is gathered from sources we believe to be reliable, however we cannot guarantee its accuracy and interested persons should rely on their own enquiries. Dimensions are approximate.



11B/15-19 ONSLOW AVENUE

Council Rates: \$744 pa

Water Rates: \$492 pa

Strata Levies: \$1094 pq

ELIZABETH BAY

Apartment Size: 42m²