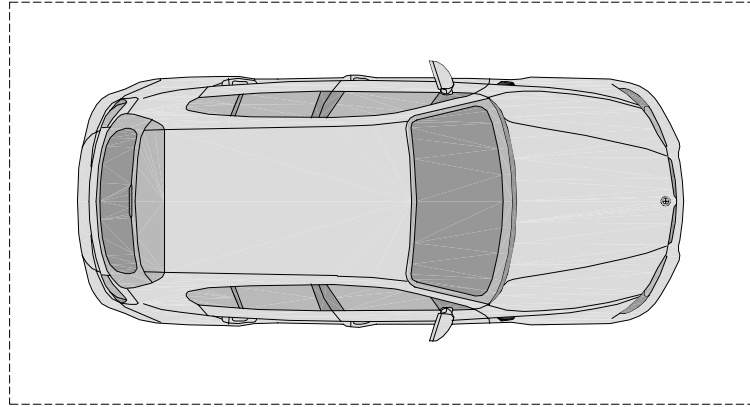
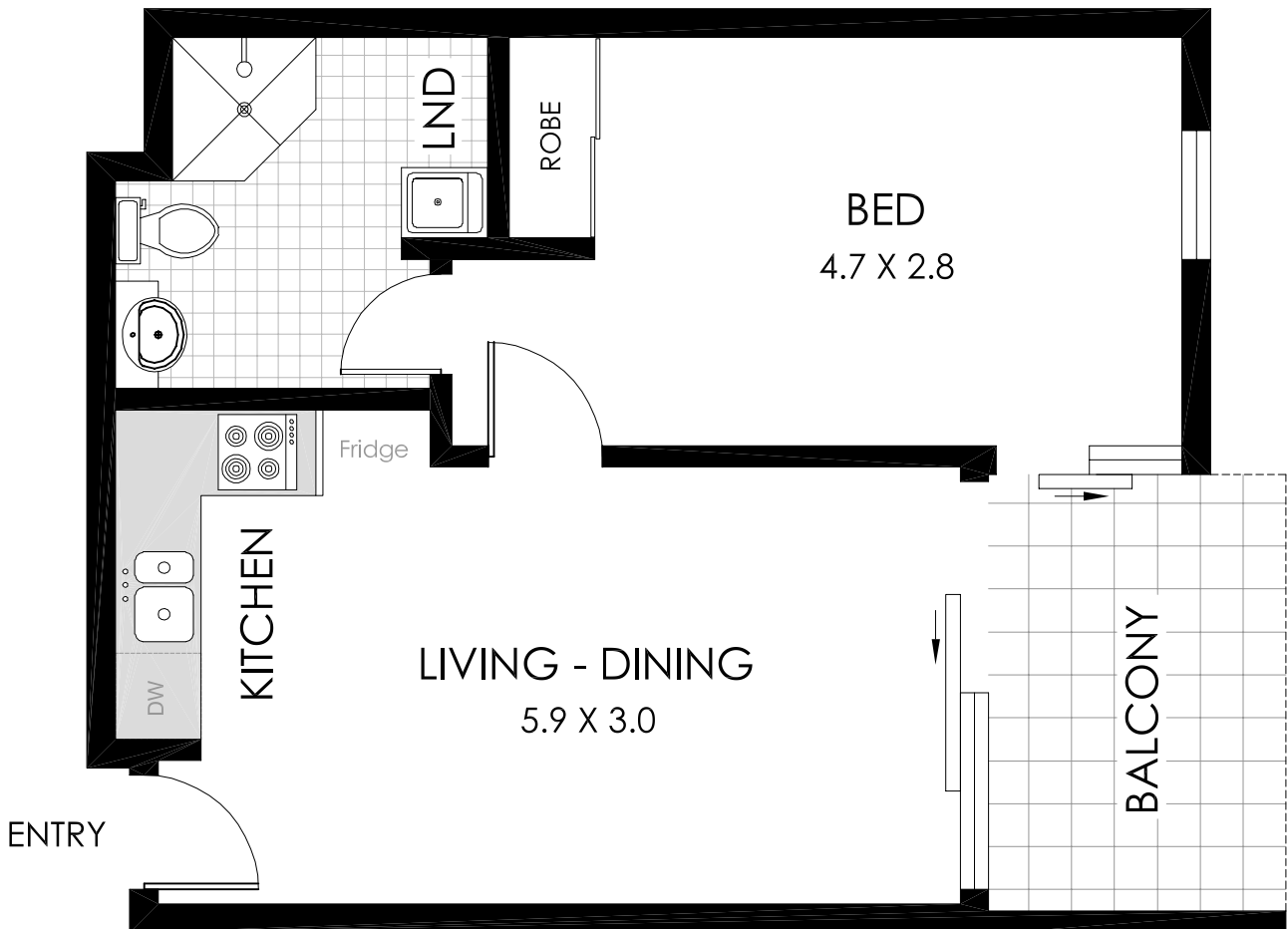


# BresicWhitney



SECURITY CARSPACE



SCALE (METRES)

PLANS SHOWN ARE ONLY INDICATIVE OF LAYOUT. DIMENSIONS ARE APPROXIMATE

All information contained herein is gathered from sources we believe to be reliable, however we cannot guarantee its accuracy and interested persons should rely on their own enquiries. Dimensions are approximate.



308/47 CHIPPEN STREET

Council Rates: \$480 pa

Water Rates: \$456 pa

Strata Levies: \$1502 pq

CHIPPENDALE

Internal: 36m<sup>2</sup>

Balcony: 6m<sup>2</sup>

Apartment Size: 42m<sup>2</sup>