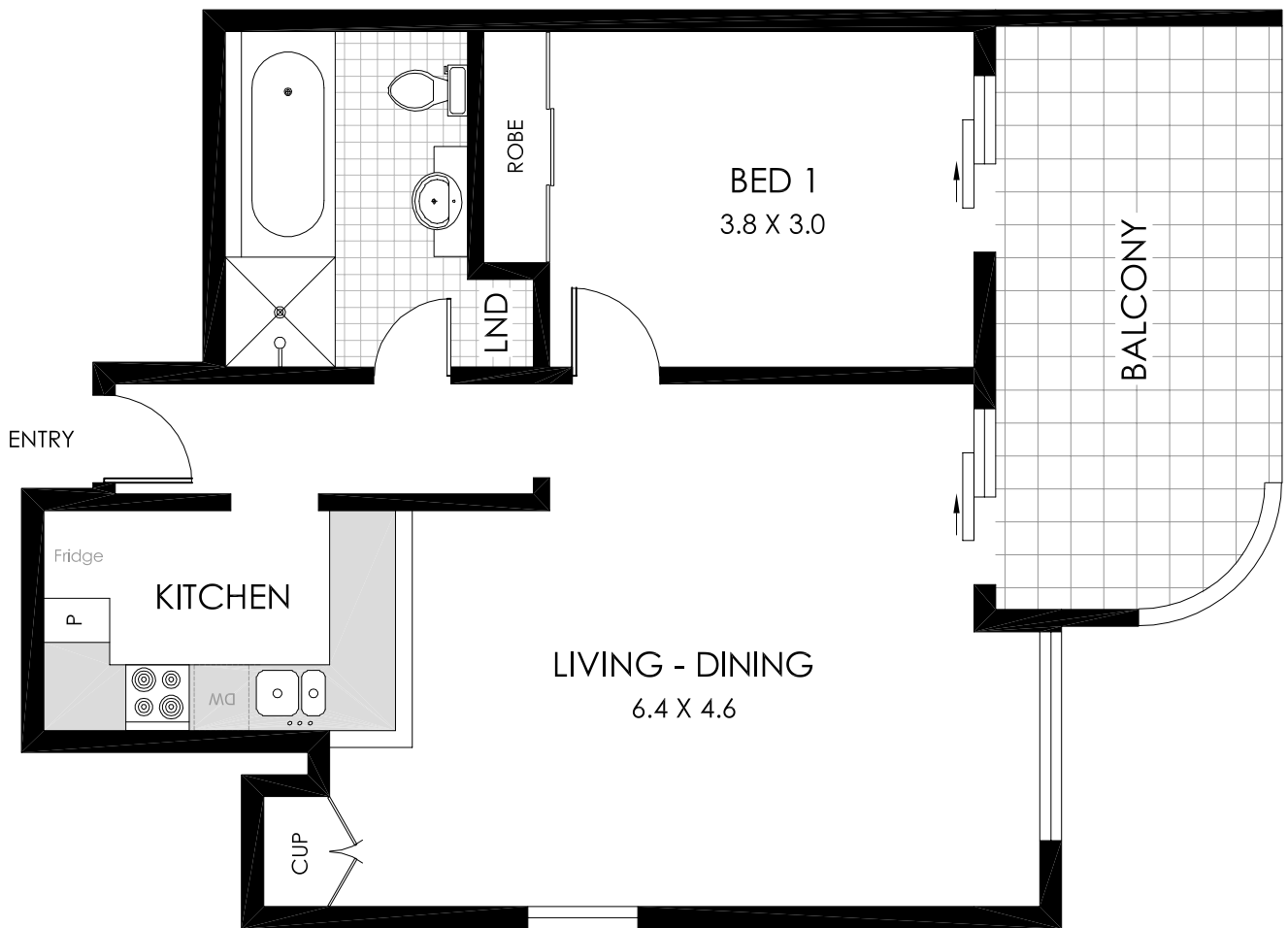
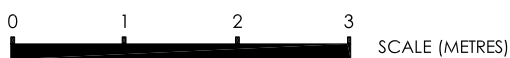
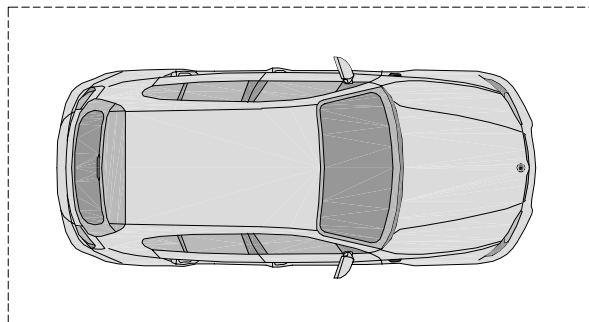


BresicWhitney



SECURITY
CARSPACE



PLANS SHOWN ARE ONLY INDICATIVE OF LAYOUT. DIMENSIONS ARE APPROXIMATE

All information contained herein is gathered from sources we believe to be reliable, however we cannot guarantee its accuracy and interested persons should rely on their own enquiries. Dimensions are approximate.



75/57 LIVERPOOL STREET

Council Rates: \$683 pa

Water Rates: \$565 pa

Strata Levies: \$1120 pq

SYDNEY

Internal: 59m²

Balcony: 13m²

Apartment Size: 72m²